

Radiator Case, Remove and Install (Z 22 SE)



Remove

Front clamshell – see operation "Front Clamshell, Remove and Install".

Important: Ensure that cooling system is not pressurised.



Install

Cover cap (2) – pull out.

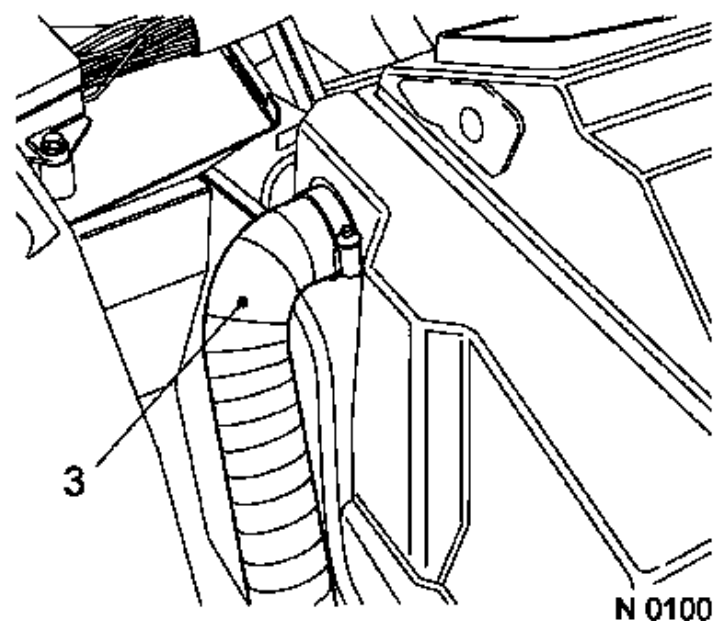
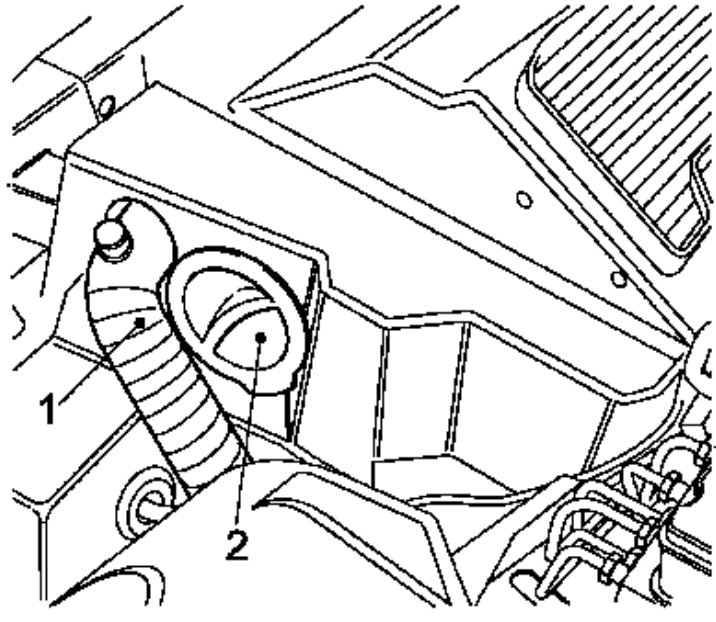
Left hose (1) from radiator – 1 clip.

Right hose (3) from radiator – 1 clip.

Important:

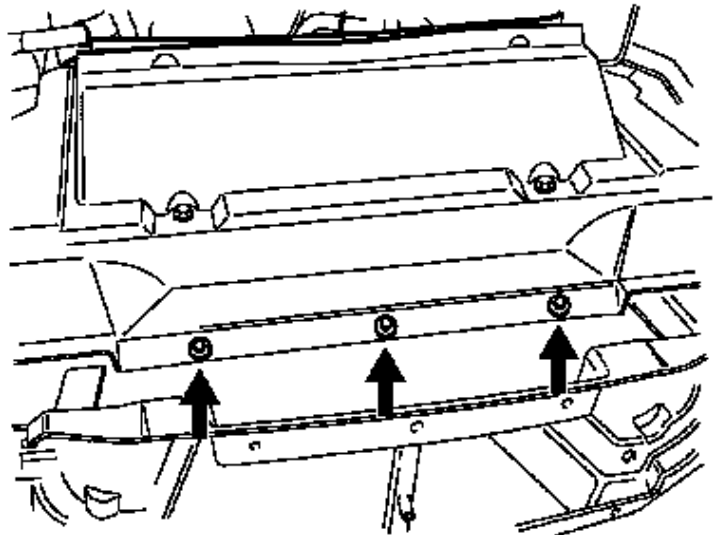
Collect and dispose of escaping coolant.

Follow safety regulations.



Remove

Front radiator case attachment – 3 screws (arrowed).

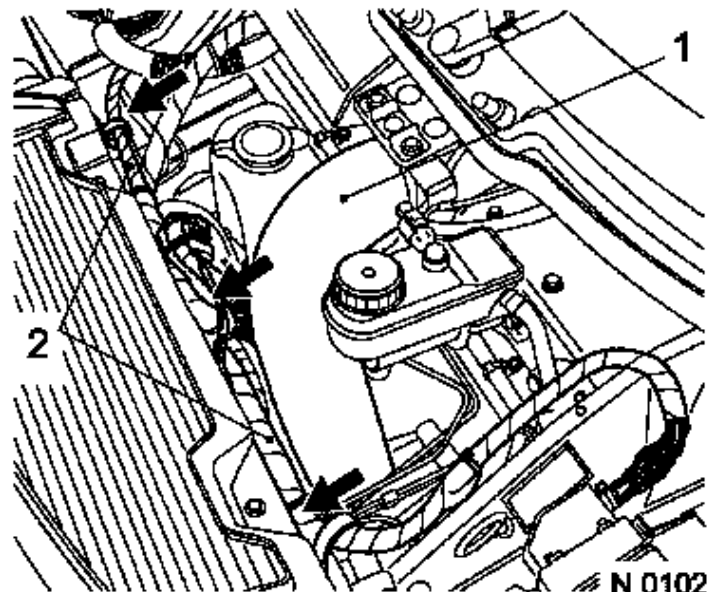


N 0101

Pull out air hose (1), close opening of heater fan.

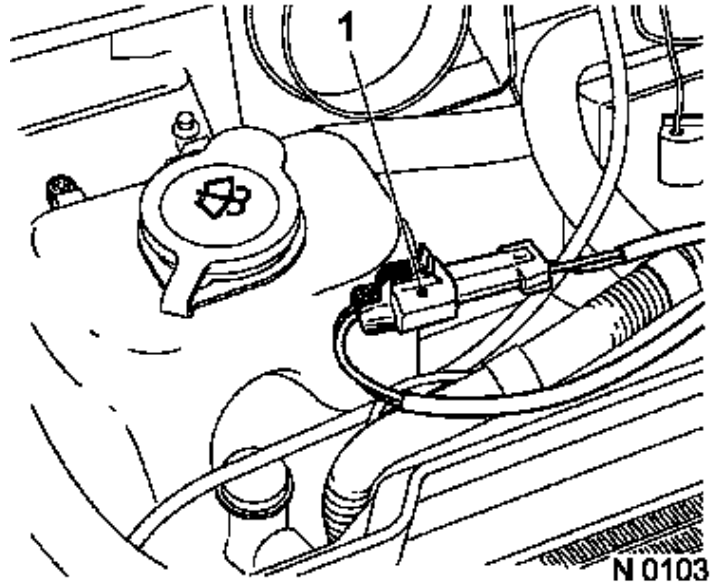
Cut cable tie and release wiring harness (2) from radiator case, release wiring harness from mounting.

Rear radiator case attachment – 3 screws (arrowed).



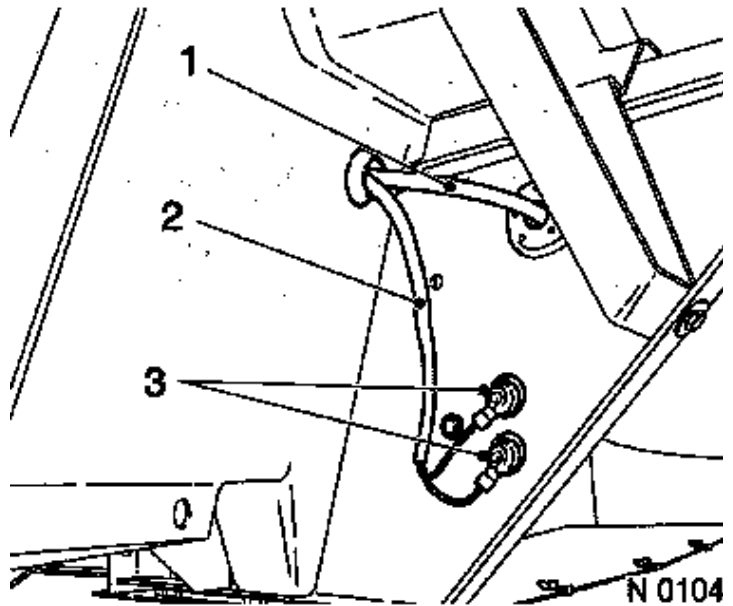
N 0102

Fan motor wiring harness plug (1).

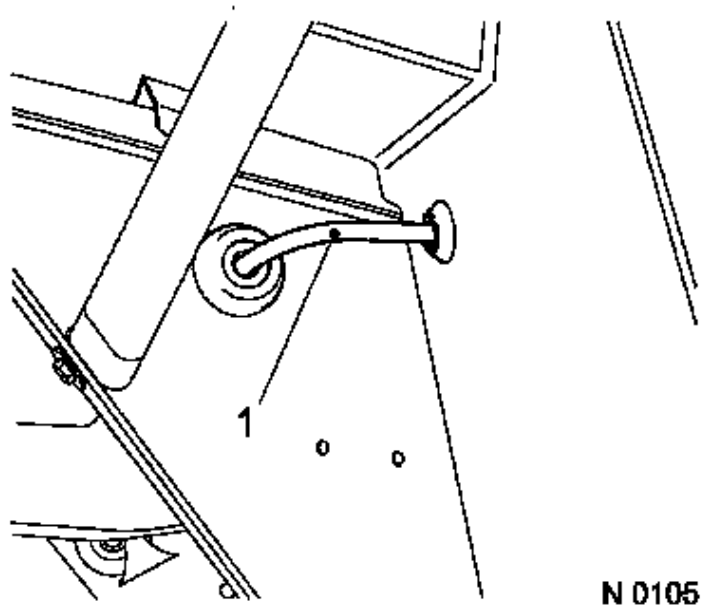


Horn wiring harness plugs (3).

Horn wiring harness (2) and wiring harness from radiator case (1) – 2 protective rubber sleeves.

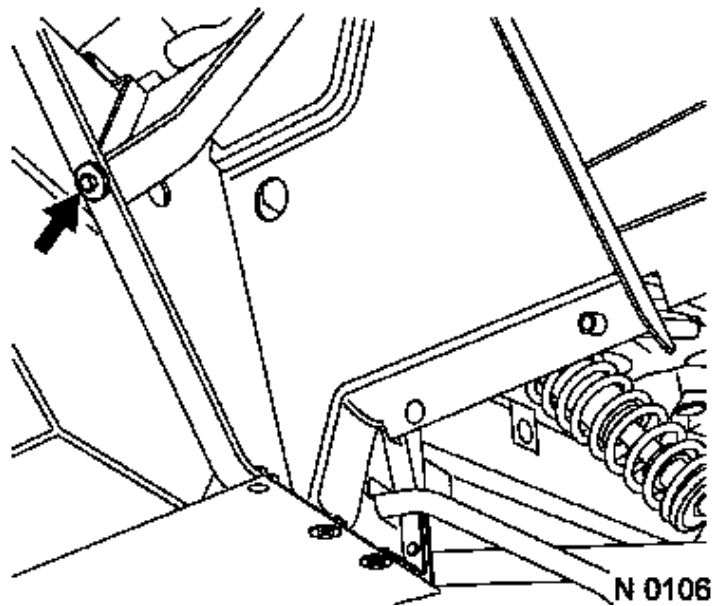


Wiring harness (1) from radiator case – 2 protective rubber bushes.



N 0105

Radiator case attachment – 1 screw (arrowed) on each side.



N 0106



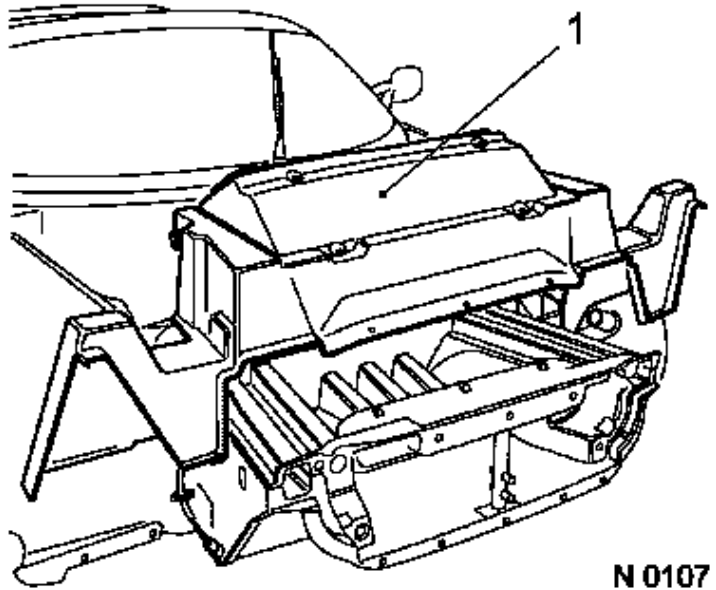
Remove

Radiator case (1).



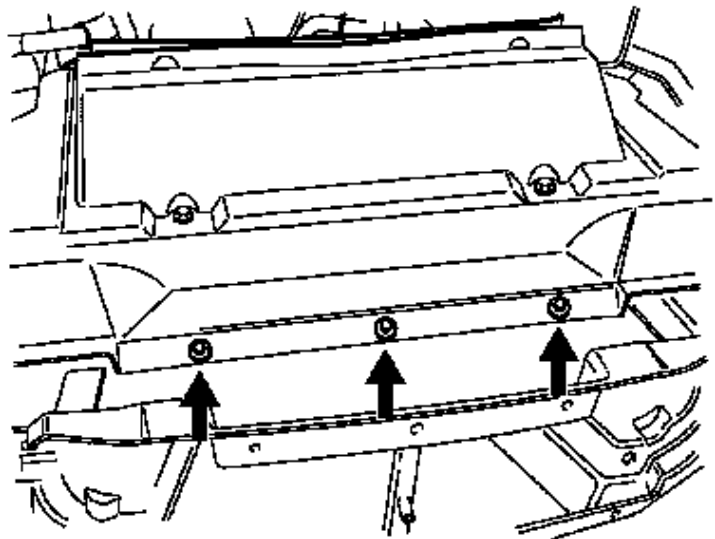
Install

Radiator case (1).



N 0107

Front radiator case attachment – 3 screws (arrowed).



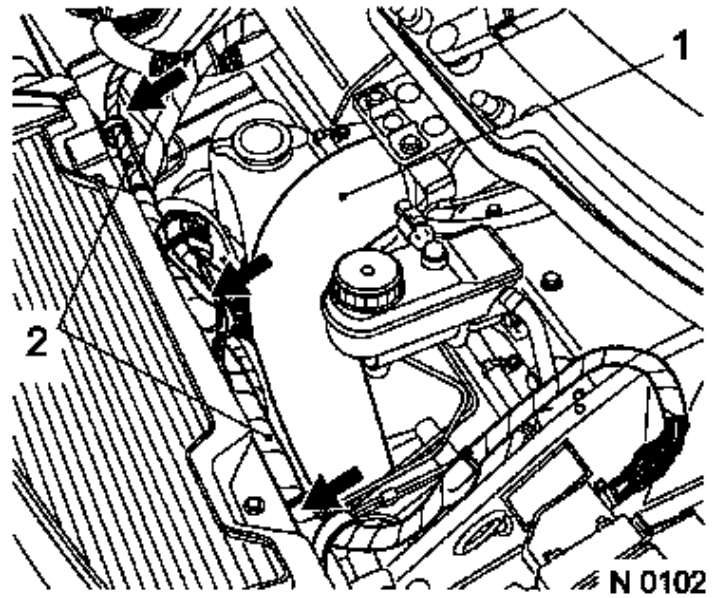
N 0101

Rear radiator case attachment – 3 screws (arrowed).

Wiring harness plug to fan motor.

Wiring harness (2) to radiator case – 3 protective rubber bushes, 5 cable ties.

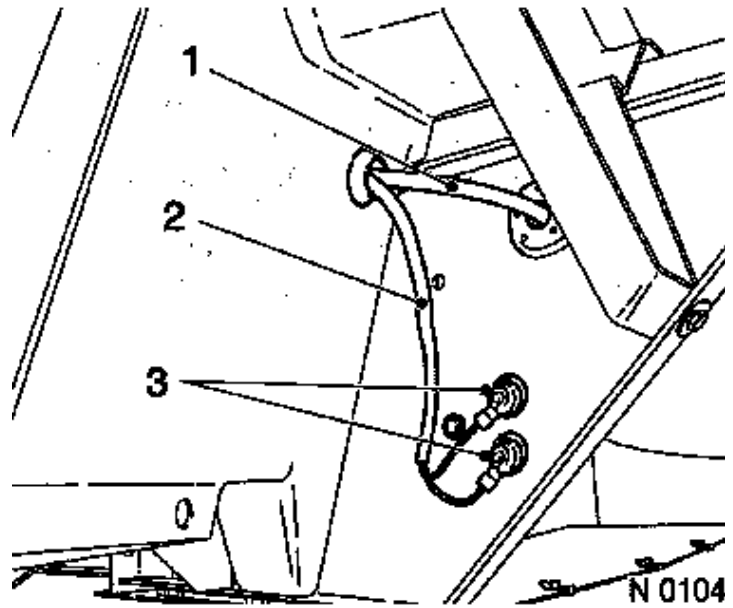
Air hose (1).



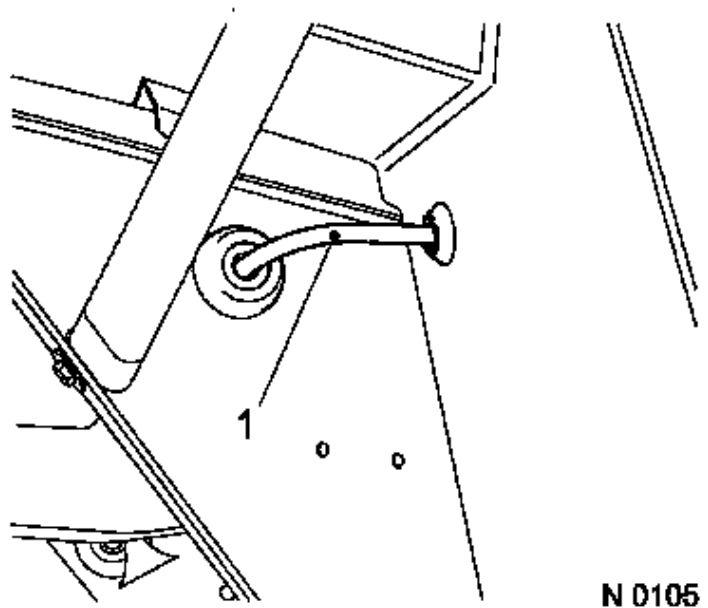
Left hose (1) to radiator – 1 clip.

Cover cap (2).

Right hose (3) to radiator – 1 clip.



Wiring harness (1) to radiator case – 2 protective rubber bushes.



Install

Radiator case attachment – 1 screw (arrowed) on each side.

Fill and bleed cooling system – see operation "Cooling System, Fill and Bleed" in group J.



Inspect

Check the cooling system for leaks.



Install

Front clamshell – see operation "Front Clamshell, Remove and Install".

